

AJH Course Selection

Incoming 7th & 8th Graders
2022-2023



Kind HEART. *Fierce* MIND. *Brave* SPIRIT.
WE ARE VIKINGS!

Our Viking Family

7th Grade AP:
Scott Thoen



Principal:
Elisabeth Brodt



8th Grade AP:
Patrick Page



7th Grade Counselor:
Shelly Watson



8th Grade Counselor:
Vicky Mata



7th & 8th Grade Promotion

To be promoted to 7th & 8th grade:

- You must have an overall average of 70 or higher in all courses.
- You must also have an overall average of 70 or higher in 3 of the 4 core subject areas:
 1. English and Reading
 2. Math
 3. Science
 4. Social Studies



promotion

Students who do not meet these requirements must either attend summer school or repeat your current grade.

Course Requests Overview

- ❖ Course Selections must be submitted online through SchoolLinks by February 6th!
- ❖ A Course Selection sheet will be provided to students to help make placement decisions and will need to be turned into their ELA teacher by Monday, February 7th.
- ❖ If you are moving or planning to move, you still must complete the course selection process
- ❖ If you are signing up for KAP classes, both the student and parent must read the KAP commitment letter on the back of the course selection sheet

See your Counselor if you have any questions.

All students must sign up for the following courses:

- English
- Math
- Science
- Social Studies
- PE
- Elective(s) & alternate elective choices

Course Offerings for Current 6th graders
Adams Junior High 2022-2023

Due to ELA teacher by February 1, 2022

Parent/Guardian Name: Last, First	Student Name: Last, First	DOB (Month/Day/Year)	Birth Date	Parent/Guardian Email	City / Zip
Parent/Guardian Home Phone:	Parent/Guardian Cell Phone:	Parent/Guardian Work Phone:			

Use this list of courses as a guide to help you select your classes in school. Each student must select one course from each of the required areas: English, Math, Science, Social Studies and PE. Students planning for 7th grade will select one elective course and students who qualify for 40 in ELA will select two elective courses and have one reading course. Students may not receive their first choice elective due to insufficient enrollment in a course, scheduling conflict, or over enrollment in course. Final placement into courses is contingent upon campus approval. (60 placement required) - see calendar to have met specific Katy ISD scheduling course.

REQUIREMENTS: CIRCLE one course from each of the required areas of English, Math, Science, Social Studies and PE. Select required courses by printing the course number for the course. **REQUIREMENTS:** List five **ALTERNATE** choices in order of preference. Student and parent signatures are required. All course guidelines have been reviewed and course selections have been made based on the student's individual strengths, interests and commitments.

ENGLISH	MATH	SCIENCE	SOCIAL STUDIES	PE	ELECTIVE COURSES
ENGLISH AND READING ENR1 English Language Arts and Reading ENR2 English Language Arts and Reading ENR3 English Language Arts and Reading ENR4 English Language Arts and Reading ENR5 English Language Arts and Reading ENR6 English Language Arts and Reading ENR7 English Language Arts and Reading ENR8 English Language Arts and Reading ENR9 English Language Arts and Reading ENR10 English Language Arts and Reading ENR11 English Language Arts and Reading ENR12 English Language Arts and Reading ENR13 English Language Arts and Reading ENR14 English Language Arts and Reading ENR15 English Language Arts and Reading ENR16 English Language Arts and Reading ENR17 English Language Arts and Reading ENR18 English Language Arts and Reading ENR19 English Language Arts and Reading ENR20 English Language Arts and Reading ENR21 English Language Arts and Reading ENR22 English Language Arts and Reading ENR23 English Language Arts and Reading ENR24 English Language Arts and Reading ENR25 English Language Arts and Reading ENR26 English Language Arts and Reading ENR27 English Language Arts and Reading ENR28 English Language Arts and Reading ENR29 English Language Arts and Reading ENR30 English Language Arts and Reading ENR31 English Language Arts and Reading ENR32 English Language Arts and Reading ENR33 English Language Arts and Reading ENR34 English Language Arts and Reading ENR35 English Language Arts and Reading ENR36 English Language Arts and Reading ENR37 English Language Arts and Reading ENR38 English Language Arts and Reading ENR39 English Language Arts and Reading ENR40 English Language Arts and Reading ENR41 English Language Arts and Reading ENR42 English Language Arts and Reading ENR43 English Language Arts and Reading ENR44 English Language Arts and Reading ENR45 English Language Arts and Reading ENR46 English Language Arts and Reading ENR47 English Language Arts and Reading ENR48 English Language Arts and Reading ENR49 English Language Arts and Reading ENR50 English Language Arts and Reading	MATH M1 Math 1 M2 Math 2 M3 Math 3 M4 Math 4 M5 Math 5 M6 Math 6 M7 Math 7 M8 Math 8 M9 Math 9 M10 Math 10 M11 Math 11 M12 Math 12 M13 Math 13 M14 Math 14 M15 Math 15 M16 Math 16 M17 Math 17 M18 Math 18 M19 Math 19 M20 Math 20 M21 Math 21 M22 Math 22 M23 Math 23 M24 Math 24 M25 Math 25 M26 Math 26 M27 Math 27 M28 Math 28 M29 Math 29 M30 Math 30 M31 Math 31 M32 Math 32 M33 Math 33 M34 Math 34 M35 Math 35 M36 Math 36 M37 Math 37 M38 Math 38 M39 Math 39 M40 Math 40 M41 Math 41 M42 Math 42 M43 Math 43 M44 Math 44 M45 Math 45 M46 Math 46 M47 Math 47 M48 Math 48 M49 Math 49 M50 Math 50 M51 Math 51 M52 Math 52 M53 Math 53 M54 Math 54 M55 Math 55 M56 Math 56 M57 Math 57 M58 Math 58 M59 Math 59 M60 Math 60 M61 Math 61 M62 Math 62 M63 Math 63 M64 Math 64 M65 Math 65 M66 Math 66 M67 Math 67 M68 Math 68 M69 Math 69 M70 Math 70 M71 Math 71 M72 Math 72 M73 Math 73 M74 Math 74 M75 Math 75 M76 Math 76 M77 Math 77 M78 Math 78 M79 Math 79 M80 Math 80 M81 Math 81 M82 Math 82 M83 Math 83 M84 Math 84 M85 Math 85 M86 Math 86 M87 Math 87 M88 Math 88 M89 Math 89 M90 Math 90 M91 Math 91 M92 Math 92 M93 Math 93 M94 Math 94 M95 Math 95 M96 Math 96 M97 Math 97 M98 Math 98 M99 Math 99 M100 Math 100	SCIENCE S1 Science 1 S2 Science 2 S3 Science 3 S4 Science 4 S5 Science 5 S6 Science 6 S7 Science 7 S8 Science 8 S9 Science 9 S10 Science 10 S11 Science 11 S12 Science 12 S13 Science 13 S14 Science 14 S15 Science 15 S16 Science 16 S17 Science 17 S18 Science 18 S19 Science 19 S20 Science 20 S21 Science 21 S22 Science 22 S23 Science 23 S24 Science 24 S25 Science 25 S26 Science 26 S27 Science 27 S28 Science 28 S29 Science 29 S30 Science 30 S31 Science 31 S32 Science 32 S33 Science 33 S34 Science 34 S35 Science 35 S36 Science 36 S37 Science 37 S38 Science 38 S39 Science 39 S40 Science 40 S41 Science 41 S42 Science 42 S43 Science 43 S44 Science 44 S45 Science 45 S46 Science 46 S47 Science 47 S48 Science 48 S49 Science 49 S50 Science 50 S51 Science 51 S52 Science 52 S53 Science 53 S54 Science 54 S55 Science 55 S56 Science 56 S57 Science 57 S58 Science 58 S59 Science 59 S60 Science 60 S61 Science 61 S62 Science 62 S63 Science 63 S64 Science 64 S65 Science 65 S66 Science 66 S67 Science 67 S68 Science 68 S69 Science 69 S70 Science 70 S71 Science 71 S72 Science 72 S73 Science 73 S74 Science 74 S75 Science 75 S76 Science 76 S77 Science 77 S78 Science 78 S79 Science 79 S80 Science 80 S81 Science 81 S82 Science 82 S83 Science 83 S84 Science 84 S85 Science 85 S86 Science 86 S87 Science 87 S88 Science 88 S89 Science 89 S90 Science 90 S91 Science 91 S92 Science 92 S93 Science 93 S94 Science 94 S95 Science 95 S96 Science 96 S97 Science 97 S98 Science 98 S99 Science 99 S100 Science 100	SOCIAL STUDIES SS1 Social Studies 1 SS2 Social Studies 2 SS3 Social Studies 3 SS4 Social Studies 4 SS5 Social Studies 5 SS6 Social Studies 6 SS7 Social Studies 7 SS8 Social Studies 8 SS9 Social Studies 9 SS10 Social Studies 10 SS11 Social Studies 11 SS12 Social Studies 12 SS13 Social Studies 13 SS14 Social Studies 14 SS15 Social Studies 15 SS16 Social Studies 16 SS17 Social Studies 17 SS18 Social Studies 18 SS19 Social Studies 19 SS20 Social Studies 20 SS21 Social Studies 21 SS22 Social Studies 22 SS23 Social Studies 23 SS24 Social Studies 24 SS25 Social Studies 25 SS26 Social Studies 26 SS27 Social Studies 27 SS28 Social Studies 28 SS29 Social Studies 29 SS30 Social Studies 30 SS31 Social Studies 31 SS32 Social Studies 32 SS33 Social Studies 33 SS34 Social Studies 34 SS35 Social Studies 35 SS36 Social Studies 36 SS37 Social Studies 37 SS38 Social Studies 38 SS39 Social Studies 39 SS40 Social Studies 40 SS41 Social Studies 41 SS42 Social Studies 42 SS43 Social Studies 43 SS44 Social Studies 44 SS45 Social Studies 45 SS46 Social Studies 46 SS47 Social Studies 47 SS48 Social Studies 48 SS49 Social Studies 49 SS50 Social Studies 50 SS51 Social Studies 51 SS52 Social Studies 52 SS53 Social Studies 53 SS54 Social Studies 54 SS55 Social Studies 55 SS56 Social Studies 56 SS57 Social Studies 57 SS58 Social Studies 58 SS59 Social Studies 59 SS60 Social Studies 60 SS61 Social Studies 61 SS62 Social Studies 62 SS63 Social Studies 63 SS64 Social Studies 64 SS65 Social Studies 65 SS66 Social Studies 66 SS67 Social Studies 67 SS68 Social Studies 68 SS69 Social Studies 69 SS70 Social Studies 70 SS71 Social Studies 71 SS72 Social Studies 72 SS73 Social Studies 73 SS74 Social Studies 74 SS75 Social Studies 75 SS76 Social Studies 76 SS77 Social Studies 77 SS78 Social Studies 78 SS79 Social Studies 79 SS80 Social Studies 80 SS81 Social Studies 81 SS82 Social Studies 82 SS83 Social Studies 83 SS84 Social Studies 84 SS85 Social Studies 85 SS86 Social Studies 86 SS87 Social Studies 87 SS88 Social Studies 88 SS89 Social Studies 89 SS90 Social Studies 90 SS91 Social Studies 91 SS92 Social Studies 92 SS93 Social Studies 93 SS94 Social Studies 94 SS95 Social Studies 95 SS96 Social Studies 96 SS97 Social Studies 97 SS98 Social Studies 98 SS99 Social Studies 99 SS100 Social Studies 100	PE P1 Physical Education 1 P2 Physical Education 2 P3 Physical Education 3 P4 Physical Education 4 P5 Physical Education 5 P6 Physical Education 6 P7 Physical Education 7 P8 Physical Education 8 P9 Physical Education 9 P10 Physical Education 10 P11 Physical Education 11 P12 Physical Education 12 P13 Physical Education 13 P14 Physical Education 14 P15 Physical Education 15 P16 Physical Education 16 P17 Physical Education 17 P18 Physical Education 18 P19 Physical Education 19 P20 Physical Education 20 P21 Physical Education 21 P22 Physical Education 22 P23 Physical Education 23 P24 Physical Education 24 P25 Physical Education 25 P26 Physical Education 26 P27 Physical Education 27 P28 Physical Education 28 P29 Physical Education 29 P30 Physical Education 30 P31 Physical Education 31 P32 Physical Education 32 P33 Physical Education 33 P34 Physical Education 34 P35 Physical Education 35 P36 Physical Education 36 P37 Physical Education 37 P38 Physical Education 38 P39 Physical Education 39 P40 Physical Education 40 P41 Physical Education 41 P42 Physical Education 42 P43 Physical Education 43 P44 Physical Education 44 P45 Physical Education 45 P46 Physical Education 46 P47 Physical Education 47 P48 Physical Education 48 P49 Physical Education 49 P50 Physical Education 50 P51 Physical Education 51 P52 Physical Education 52 P53 Physical Education 53 P54 Physical Education 54 P55 Physical Education 55 P56 Physical Education 56 P57 Physical Education 57 P58 Physical Education 58 P59 Physical Education 59 P60 Physical Education 60 P61 Physical Education 61 P62 Physical Education 62 P63 Physical Education 63 P64 Physical Education 64 P65 Physical Education 65 P66 Physical Education 66 P67 Physical Education 67 P68 Physical Education 68 P69 Physical Education 69 P70 Physical Education 70 P71 Physical Education 71 P72 Physical Education 72 P73 Physical Education 73 P74 Physical Education 74 P75 Physical Education 75 P76 Physical Education 76 P77 Physical Education 77 P78 Physical Education 78 P79 Physical Education 79 P80 Physical Education 80 P81 Physical Education 81 P82 Physical Education 82 P83 Physical Education 83 P84 Physical Education 84 P85 Physical Education 85 P86 Physical Education 86 P87 Physical Education 87 P88 Physical Education 88 P89 Physical Education 89 P90 Physical Education 90 P91 Physical Education 91 P92 Physical Education 92 P93 Physical Education 93 P94 Physical Education 94 P95 Physical Education 95 P96 Physical Education 96 P97 Physical Education 97 P98 Physical Education 98 P99 Physical Education 99 P100 Physical Education 100	ELECTIVE COURSES E1 Elective Course 1 E2 Elective Course 2 E3 Elective Course 3 E4 Elective Course 4 E5 Elective Course 5 E6 Elective Course 6 E7 Elective Course 7 E8 Elective Course 8 E9 Elective Course 9 E10 Elective Course 10 E11 Elective Course 11 E12 Elective Course 12 E13 Elective Course 13 E14 Elective Course 14 E15 Elective Course 15 E16 Elective Course 16 E17 Elective Course 17 E18 Elective Course 18 E19 Elective Course 19 E20 Elective Course 20 E21 Elective Course 21 E22 Elective Course 22 E23 Elective Course 23 E24 Elective Course 24 E25 Elective Course 25 E26 Elective Course 26 E27 Elective Course 27 E28 Elective Course 28 E29 Elective Course 29 E30 Elective Course 30 E31 Elective Course 31 E32 Elective Course 32 E33 Elective Course 33 E34 Elective Course 34 E35 Elective Course 35 E36 Elective Course 36 E37 Elective Course 37 E38 Elective Course 38 E39 Elective Course 39 E40 Elective Course 40 E41 Elective Course 41 E42 Elective Course 42 E43 Elective Course 43 E44 Elective Course 44 E45 Elective Course 45 E46 Elective Course 46 E47 Elective Course 47 E48 Elective Course 48 E49 Elective Course 49 E50 Elective Course 50 E51 Elective Course 51 E52 Elective Course 52 E53 Elective Course 53 E54 Elective Course 54 E55 Elective Course 55 E56 Elective Course 56 E57 Elective Course 57 E58 Elective Course 58 E59 Elective Course 59 E60 Elective Course 60 E61 Elective Course 61 E62 Elective Course 62 E63 Elective Course 63 E64 Elective Course 64 E65 Elective Course 65 E66 Elective Course 66 E67 Elective Course 67 E68 Elective Course 68 E69 Elective Course 69 E70 Elective Course 70 E71 Elective Course 71 E72 Elective Course 72 E73 Elective Course 73 E74 Elective Course 74 E75 Elective Course 75 E76 Elective Course 76 E77 Elective Course 77 E78 Elective Course 78 E79 Elective Course 79 E80 Elective Course 80 E81 Elective Course 81 E82 Elective Course 82 E83 Elective Course 83 E84 Elective Course 84 E85 Elective Course 85 E86 Elective Course 86 E87 Elective Course 87 E88 Elective Course 88 E89 Elective Course 89 E90 Elective Course 90 E91 Elective Course 91 E92 Elective Course 92 E93 Elective Course 93 E94 Elective Course 94 E95 Elective Course 95 E96 Elective Course 96 E97 Elective Course 97 E98 Elective Course 98 E99 Elective Course 99 E100 Elective Course 100

Parent/Guardian Signature: _____ Date: _____
Student Signature: _____ Date: _____



* Available on AJH Counselor website

Choosing Courses

Three Class Format:

Academic – For everyone, on grade level, more time to review concepts, prepares students for college as well as other postsecondary education

KAP – More challenging, fast paced, prepares students for AP classes in high school
*We recommend students have an “A” average in an Academic class

GT – Must be currently screened and identified

Students who enroll in KAP, KAP/GT, and AP/GT English Courses in grades 6-12 are expected to complete a **summer reading assignment**.

KAP PROGRAM INFORMATION



- Although we highly encourage students to stay in a KAP class, they may exit a course during the first 6-weeks grading period or at the end of the 1st semester.
- The student must have teacher and parent approval to exit.
- If the student's 6-weeks average falls below 70, the student will be placed into an Academic class at the end of the grading period unless otherwise recommended by the teacher.

The KAP Course Commitment form is included on the back of the course selection sheet.

Choosing Courses

The decision to take academic or KAP should be made between you, your parents, and your teachers. Think about:

- ❖ Your interests and strengths
- ❖ How hard you are willing to work
- ❖ The grades you have earned in school and the kind of grades you like to make
- ❖ Motivation and attitude
- ❖ Standardized test scores
- ❖ Study habits
- ❖ Extracurricular activities and time commitments
- ❖ How quickly you catch on to new material

Math for 7th Graders

6th, 7th, and 8th grade math classes are the foundations for high school math classes and should not be rushed.

Academic Math – on grade level curriculum

- ❖ Students will have math homework weekly to practice the concepts
- ❖ Students will learn 7th grade math skills/concepts only

KAP Math – accelerated math class covering the remaining ½ of 7th grade and all of 8th grade math curriculum

- ❖ A new concept is learned almost every day
- ❖ Students will have math homework every night to practice the concepts
- ❖ KAP math focuses on preparing students for High School Algebra 1 in 8th grade

- * 7th grade KAP Math Students will take the 8th grade STAAR
- * Current high achieving students in 6th grade KAP Math can take a Credit By Exam (CBE) for 8th grade Math this summer (June/July testing windows). Students who pass the 8th grade Math CBE will be eligible to take Algebra in the 7th grade.

Math for 8th Graders

6th, 7th, and 8th grade math classes are the foundations for high school math classes and should not be rushed.

❖ *Academic Math* – on grade level curriculum

- ❖ Students will have math homework weekly to practice the concepts
- ❖ Students will learn 8th grade math skills/concepts only

❖ *Algebra 1* – High School credit math class covering Algebra 1 curriculum

- ❖ A new concept is learned almost every day
- ❖ Students will have math homework every night to practice the concepts
- ❖ Students will receive HS credit upon completion of the course

* 8th grade Algebra 1 students will take the Algebra 1 EOC

* Current high achieving students in 7th grade Aca Math can take a Credit By Exam (CBE) for 8th grade Math this summer (June/July testing windows). Students who pass the 8th grade Math CBE will be eligible to take Algebra in the 8th grade.

KAP Math for 6th-8th Grade

KAP is the compacting of the junior high curriculum from 3 years to 2 years so that your child would be able to take Algebra I (a high school credit class) by 8th grade.

By taking your first high school math class in junior high, this frees up your child's senior year, to choose to take AP calculus, AP statistics, or other dual credit college credit math classes.

ELA-R, Science, and Social Studies

- ❖ The difference in academic and KAP for English Language Arts & Reading (ELA-R), Science, and Social Studies comes in the *resources/materials used and performance expectations*.
- ❖ KAP is built upon the core academic curriculum and is designed to build student capacity to understand more rigorous content.
- ❖ KAP is designed to help prepare students for advanced courses in high school.
- ❖ ELA-R is blocked meaning it is 2 class periods in a row with the same teacher

★ HIGH SCHOOL CREDIT COURSES



- If you take a high school credit course in 8th grade, you MUST NOT request the same course in high school.
- You CANNOT repeat a course for which you have already earned credit.
- No credit is awarded for a duplicated course.
- Please make sure to choose HS credit classes carefully as once a grade is on their transcript it cannot be removed. Students enrolled in a HS credit course who are making below an 80% should seriously consider dropping the course to avoid any negative affects to their GPA in high school. You will not be able to drop after the 1st grading period.
- If the student does not pass the 1st or 2nd grading period or fails the 1st semester, he/she will automatically be dropped from the course per district policy.
- Regardless of the grade, no students will be removed from a HS credit course after the 1st semester.

All semester grades and grade points earned in high school credit courses become a permanent part of the student's high school transcript and are factored into the student's grade point average and class rank.

Elective Options



BEGINNING BAND

- No experience necessary! We will teach you everything you need to know.
- Directors will assist you in choosing the right instrument for you, after you choose band as your elective.
- Band students may participate in band AND athletics, pep squad, cheer, clubs, Sci-Oly, etc.
- There are only 2 after school rehearsals in Beginning Band.

BAND INSTRUMENTS

Flute

Oboe

Clarinet

Bassoon

Alto Sax

Trumpet

Horn

Trombone

Euphonium

Percussion

Tuba



ADVANCED BANDS

- Students who have completed a full year of daily Beginning Band class will audition for placement in one of our three advanced bands.
- All Advanced Bands meet in full band class daily and attend one before or after school section rehearsal per week.
- All Advanced Bands perform and compete throughout the school year.
- Students may participate in Band AND athletics, pep squad, cheer, clubs, Science Olympiad, etc.

ADVANCED BAND ACTIVITIES and BENEFITS

Parties Concerts
Competitions Football Game
Pep Rallies Field Trips
Friendships Movie Night
and
MUCH, MUCH, MORE!



Orchestra

- No experience necessary! We teach you everything you need to know.
 - The orchestra director will help you choose the right instrument for you
 - Instrument classes meet separately every day
 - Your daily homework is to practice your instrument!
- **Can choose one of 4 instruments:**
 - **Violin**
 - **Viola**
 - **Cello**
 - **Bass**

Returning Orchestra

- Performance-based course that builds on fundamental techniques and skills every year, from First Year Orchestra and beyond
- All orchestras perform a variety of music and presents several concerts throughout the year, including UIL music evaluations.
- Opportunity to perform in Region Orchestra Auditions and Solo & Ensemble contest.
- Upper level ensembles will require a weekly 45 minute rehearsal for sectionals
- Students will audition for placement in our performing orchestras beginning in May.



Performing Orchestra students are invited to several additional social events!

- Instrument Wrap Party in December
- Spring Trip to an amusement park
- Chamber Orchestra students participate in additional performances throughout the year

7th/8th grade Choirs

Auditioned and Non Auditioned Choirs

Be a Part of the Viking Choir Family

- Solo and small group competitions
- Concerts
- Audition for Region Choir
- Social Events
- Sing in different languages
- Solo Opportunities
- Leadership Opportunities
- Learn how to read music
- Men and Womens' Classes
- End of Year Choir Trip
- End of Year Choir Banquet
- Pop Show and LOTS MORE!



INSPIRE
GROW
CREATE
ADAMS THEATRE

Adams Theatre

YOU WILL LEARN

Ensemble building

Public speaking

Characterization

Improvisation

Theatre history

Pantomime

Storytelling techniques

Technical theatre

Professions in theatre

ALL Theatre classes touch on these topics at various degrees of complexity depending on the class level.



Theatre Production Class

Continue your journey with theatre with more advanced concepts.

Students must audition to be enrolled in this class, which is limited in size.



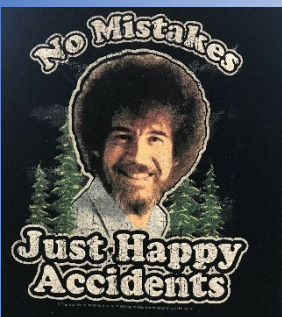
AUDITION TECHNIQUES

*OPPORTUNITIES TO
CONNECT WITH
PROFESSIONAL THEATRE
ARTISTS IN THE CLASSROOM*

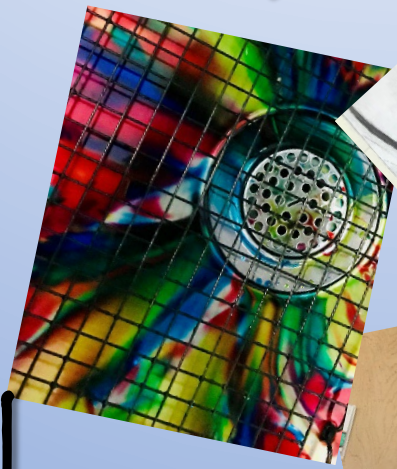
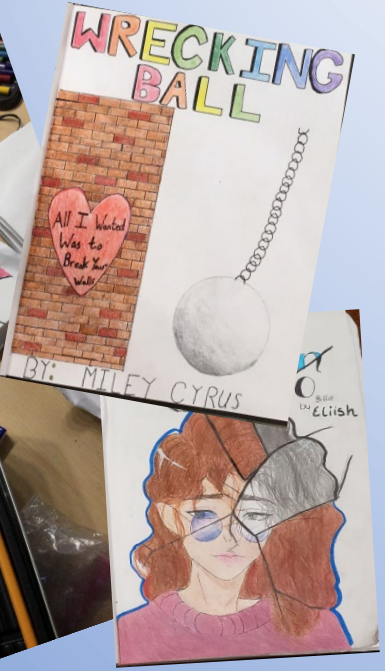
FUN FIELD TRIPS

CREATIVE GROUP PROJECTS

Art 1 = Create, Grow, & have FUN!



Paint, Draw + collaborate



Sketchbook + skill development

Clay + 3d art

- ★ First Year Art Student (no art experience)
 - ★ Students create with the elements of art and principles of design in mind while building skills for a successful year in art.
- Just a sampling...we do so much more!

Art 2

Art we will create:

Drawing Basics

Painting

Ceramics

Sculpture

Mixed Media

Art History

Contests:

Scholastic Art Contest

Visual Art Scholastic Event

Houston Dog Show

Youth Art Month



All Techniques are
taught at a
beginning level.
Come and join the
FUN!

Career Investigation

Compare Careers



Research three careers of interest to you, and complete the following table. Then complete the following Venn diagram to illustrate shared and different characteristics of each career.

	#1	#2	#3
Job Title:			
Job Description (briefly summarize the job description here using bullet points)			
Average Salary:			
Educational Requirements:			

J754 Career Investigation



Grade: 7-8

The goal of this course is to create a foundation for success in high school, future studies, and careers in areas of Science, Technology, Engineering, and Mathematics; Business and Industry; Public Service; Arts and Humanities; and Multidisciplinary Studies. The students research labor market information, learn job-seeking skills, and create documents required for employment.



Unit 5 Paying for College

Unit 4 How Much Does College Cost?

Unit 3 How Do I Get In?

Admission to college can be competitive. If students create a plan to maximize their high school years, they increase their options for education beyond high school. There is no single path to college admission, but a well-thought-out plan will help students ensure that they have used their high school opportunities to maximum benefit.

The vocabulary of the college application process can be daunting. Students encounter the idea of GPA and transcripts, along with national standardized tests such as SAT and ACT. Extracurricular activities, both in and out of school, provide valuable learning and service opportunities for students. However, students need to remember to track their activities and awards in preparation for applying for both financial aid and admission.

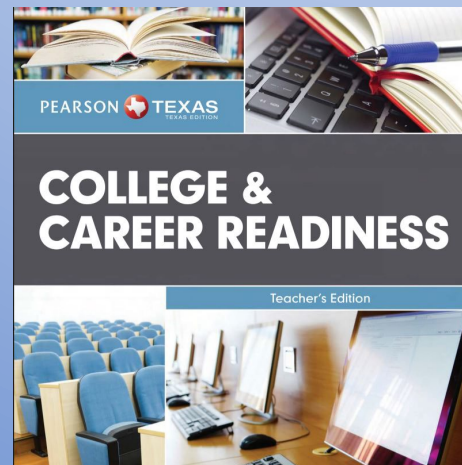
States and local school districts set requirements for high school graduation, but many colleges require course work beyond basic requirements. These requirements can change from year to year. School counselors are a vital source of information about current graduation requirements.

Lesson Overview

Students will complete a graphic organizer during an interactive presentation about the factors that colleges consider during the admission process. Following the presentation, students will outline individual action items that will improve the likelihood of success in the college process. Instructors can extend the lesson by assigning students an admission essay.

Instructional Objectives

- Identify key factors that colleges consider in the admission process.
- Create individual action plan to optimize future choices and success.
- Define relevant terms used in the college application.



The 16 CAREER CLUSTERS

A Career Cluster is a grouping of occupations and broad industries based on commonalities

Publications (Yearbook) – Application Required

*Do you like to
take pictures?*

*Do you like to
write?*

*Do you like talking
to others?*

*Do you love to be
challenged?*

**If you answered yes to any of these questions...then
Publications is the place for you!**

- Open to students entering 7th or 8th grade.
- Subject to an application process which includes letters of recommendation from current teachers
- Students will learn photography, marketing, yearbook design, and how to cover events that will be included in the Rune Stone Yearbook.
- Application closes Friday, March 11.

Scan QR code
to begin the
application
process.



Leadworthy

Leadership is not a position or title, it

Is action and example. In our

Class we are a

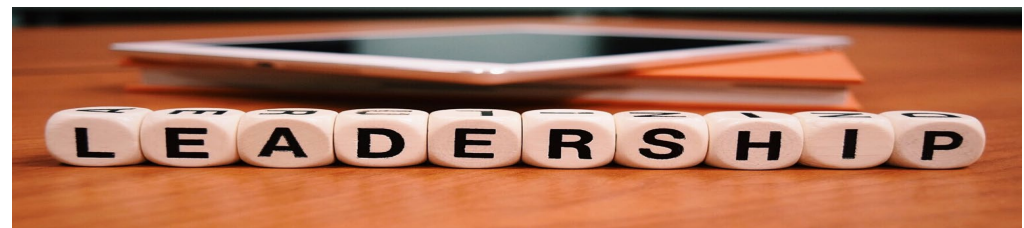
TEAM.



Leadworthy is based on the curriculum by Flip Flippen. You will discuss and learn about **first impressions**, **IPOSSESS skills**, **how to give a speech**, **you will look at yourself and how to present yourself to others**.

You will play games, role-play, and really get to know each other when you work as a TEAM.

This is a fun class that will help prepare you to take the mandatory speech class in high school.



Student Aide – 8th Grade Only

Must be approved by Administrator/Counselor

- Applications must be completed by March 11th via the google doc
- Incoming 8th grade students (current 7th graders) can apply to be a student aide as one of their elective choices. Students will be selected based on their application and teacher recommendations.
- Students who are selected as aides are helpful, respectful, and trustworthy. They must have good attendance and be passing all their classes. The student aides need to be positive representatives of our school. They must always behave appropriately and follow the student dress code.
- Student aides must be friendly, welcoming, and respect the confidentiality of our office.
- Student aides must be passing all classes and not have any N's or U's in conduct.
- Students are not eligible if they have been assigned I.S.S., been suspended from school, or received an attendance referral for excessive absences during the current school year.

Scan to access
the application
form



High School Credit Electives



Spanish 1 – 8th grade only

- 8th Grade Only Course (*7th Grade Students are encouraged to wait until their 8th grade year to begin taking Spanish.*)
- Covers all curriculum of Spanish 1 in a single year, just like in high school.
- Earn 1 full credit of high school in 1 year.
- Non-Native Spanish Speaker Course



Spanish 1b – Part 2

- Only students currently taking Spanish 1a (J740) may sign up for this course.



Spanish for Spanish Speakers

8th grade only

- Esta clase es para estudiantes quienes su primer idioma es el español.
- Los estudiantes obtienen 2 créditos por 1 año escolar en esta clase.
- Clase perfecta para estudiantes que lo hablan y quieren aprender a escribir y leer mejor, así como practicar el idioma en diferentes situaciones.
- No tiene que ser experto en el idioma.



Art 1 for High School Credit

Requirements: 8th Grade, 1 Year of art experience

Art We Will Create:

Grid Drawing

Painterly Painting Techniques

Mixed Media

Ceramics

Sculpture

Sketchbook Fridays:

- * Art Technique Practice
- * Art History
- * Experimenting with Art Methods

Contests:

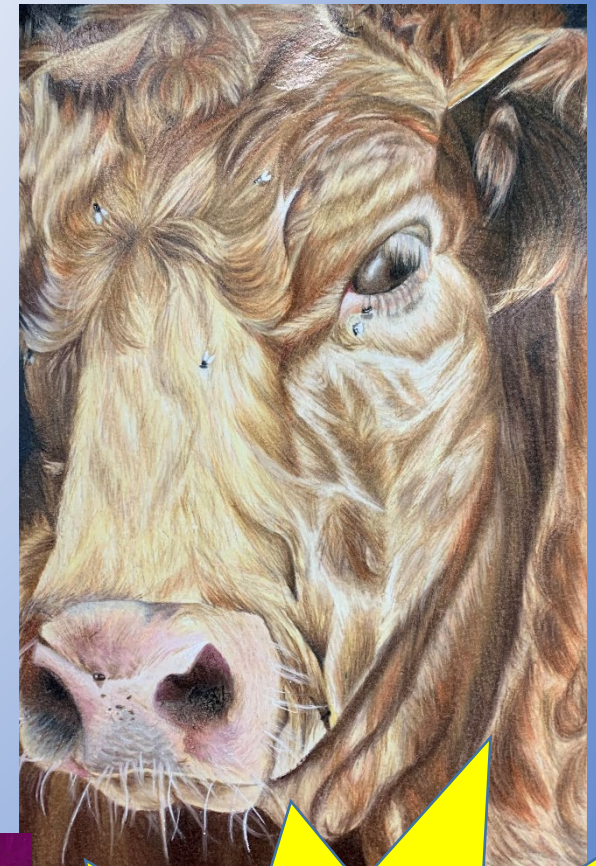
Houston Livestock Show and Rodeo

Scholastic Art Contest

Visual Art Scholastic Event

Houston Dog Show

Youth Art Month



Come and
Join the
FUN!!

Principles of Information Technology

8th grade only



In Principles of Information Technology, students will

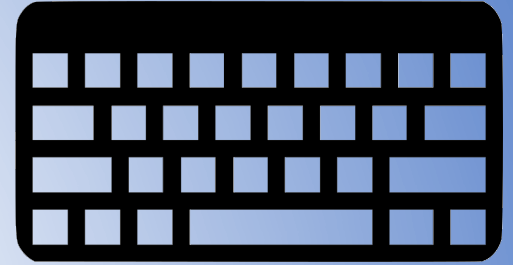
- develop computer literacy skills to adapt to emerging technologies used in the global marketplace.
- Implement personal and interpersonal skills to prepare for a rapidly evolving workplace environment.
- Enhance reading, writing, computing, communication, and reasoning skills and apply them to the information technology environment.

UNITS COVERED

Tech skills of the 21 st century	Computer hardware, operating systems and software	Word Processing
Career Exploration & Employability	Spreadsheets	Databases
Presentations	Programming	Web Design

Touch System Data Entry (sem)

Semester course paired with Web Communications
7th & 8th Grade



In Touch System Data Entry, students apply technical skills to address business applications of emerging technologies. Students enhance reading, writing, computing, communication, and reasoning skills and apply them to the business environment. Students will need to apply touch system data entry skills for production of business documents.

UNITS COVERED

Alphabetic Touch Typing	Numeric Symbol and Ten Key Touch Typing	Proofreaders Marks
Business Letters	MLA Format Reports	Tables
Email and Personal Information Management	Job Applications	Advanced Documents

Web Communications (sem)

Semester course paired with Touch Systems Data Entry
7th & 8th Grade



In Web Communications, students will acquire skills in navigating the world wide web, use digital technology to work collaboratively with others, and learn to create a positive online footprint.

UNITS COVERED

Digital
Citizenship

Information
Literacy &
Copyright

Internet

Designing User
Interface

Web
Optimization

Principles of Human Services

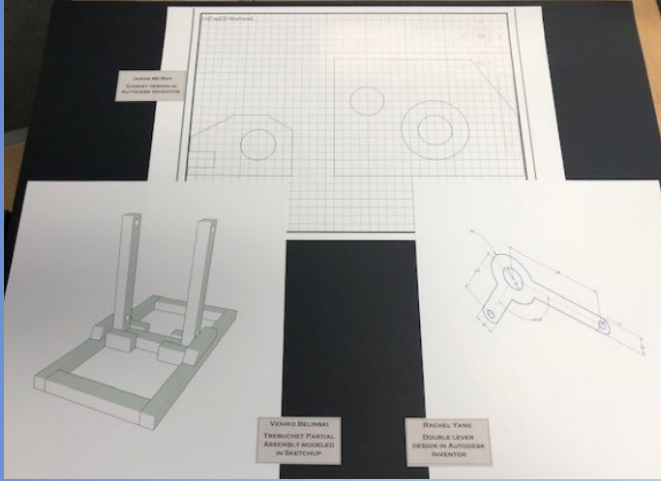
8th grade only



- Do you want to learn how to **manage money, cook, sew,** and learn the basics in **mental health, child development,** and **design?**
- Do you want to earn **high school credit?**
- Enroll in Principles of Human Services and learn the skills for life!



Principles of Applied Engineering – 8th grade only

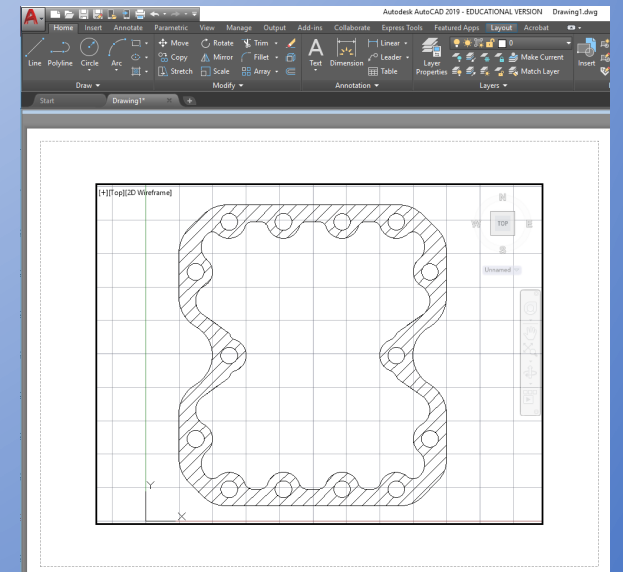
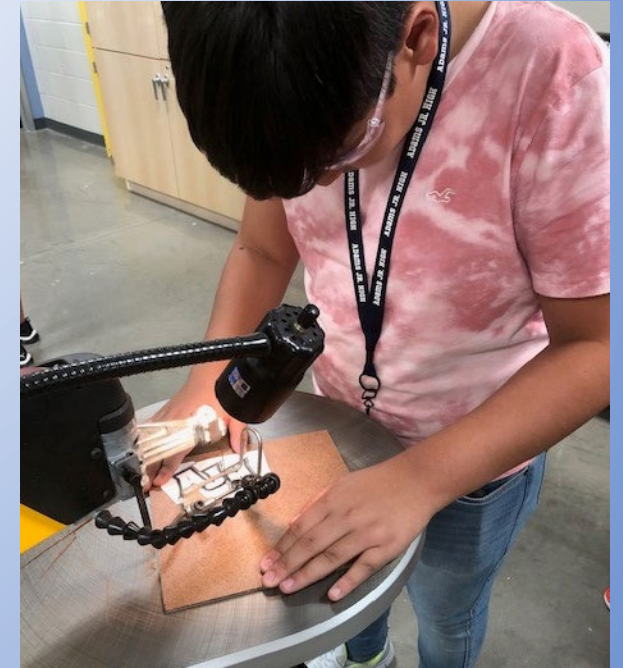


J8616 Principles of Applied Engineering

Recommended Co-requisite: Algebra I
Grade: 8 Only
Credit: One

This high school credit course provides an overview of the various fields of science, technology, engineering, and math and their interrelationships. Students will use multiple software applications to prepare and present course assignments along with hands-on projects. Students who successfully complete Principles of Applied Engineering in eighth grade are awarded one high school credit and grade points.

NOTE: Principles of Applied Engineering is an introductory course/credit for a STEM - CTE endorsement.



Possible Required Courses

These courses take the place of your elective class.

- ❖ Math Lab: designed to help refine math concepts and fill in gaps
- ❖ Strategic Reading: designed to help improve reading proficiency and comprehension

Placement may be mandatory as a result of KISD standards and graduation requirements.

STAAR results are used to determine placement in the above courses.

P.E. & P.E. Waivers

□ P.E.

- All students will be enrolled in a Physical Education class

- Both boys and girls (separate gyms)

 - Graded class/attend everyday

 - Dress out in uniforms: bring your own athletic shoes & socks

 - Lockers in locker room

 - Students will pay a \$15 fee at the beginning of the year for their PE uniform, locker, and laundry service.

□ Off Campus P.E.

- Off Campus P.E. forms will not be accepted until August 1, 2022 through the first week of school in the front office

- If you participate in an approved individual sport for less than 15 hours per week, you will receive Study Hall as your replacement class

- If you participate in an approved individual sport for 15 or more hours a week you may leave campus after 7th period. These students will sign themselves out daily at the attendance window

- Forms should be printed from the AJH counselor website or the Katy ISD website

- Information and applications can be found at: <http://www.katyisd.org/dept/physed/Pages/Off-Campus-PE.aspx>

Dance for 8th Graders

□ Dance

- Available to all 8th grade students

- Counts as PE course

- Graded class/attended every day

- Class is based on availability

 - If the course does not make, students will be placed in a regular PE class

- Takes place during 1st period with Dance director at Jordan HS

 - Students in Athletics will not be able to participate since 8th grade Athletics is 1st period also

 - Dance teacher (Mrs. Way) will pick students up at 8:55 a.m. from AJH and walk them over to JHS for the class

 - Class takes place in JHS dance studio

 - Students will be brought back to AJH at the end of 1st period in time to make it to their 2nd period class

- Does not count as a high school credit PE course. This is a junior high credit class that allows our students the opportunity to explore the JHS dance program

Athletics

- ❖ Based on tryouts at the end of your 6th and 7th grade school year
- ❖ Coaches determine placement into athletics
- ❖ Must have physical on file dated after May 1, 2022 & RankOne online forms completed
- ❖ Athletic period (Fall) sports:
 - ❖ Football
 - ❖ Volleyball
 - ❖ Basketball
- ❖ After school (Spring) sports not placed in the athletic period:
 - ❖ Track
 - ❖ Soccer
 - ❖ Tennis
- ❖ Please see the coach if you are interested in playing a sport in 7th or 8th grade
- ❖ Coaches will give the counselors a list of students to be scheduled into the athletic period later this semester

Athletics is only for football, volleyball, and basketball.

No one is exclusively in athletics for the other 3 sports.

Remember: UIL "No Pass, No Play" is in effect – any grade below 70 on the report card will prevent participation.

Course selection

- ❖ The district is using a new college and career platform call SchoolLinks. **Students will use SchoolLinks for the course selection process.**

- ❖ Students can access SchoolLinks through MyKaty Cloud



- ❖ Every student will receive a course selection sheet to help make class placement decisions. You will use this to enter your courses into SchoolLinks and then **turn in the Course Selection Sheet to your ELA teacher by February 7th**

- ❖ Circle one course from each required course areas:

- ❖ 1 ELA-R
 - ❖ 1 Math
 - ❖ 1 Science
 - ❖ 1 Social Studies
 - ❖ 1 PE course
 - ❖ Elective Choice(s)

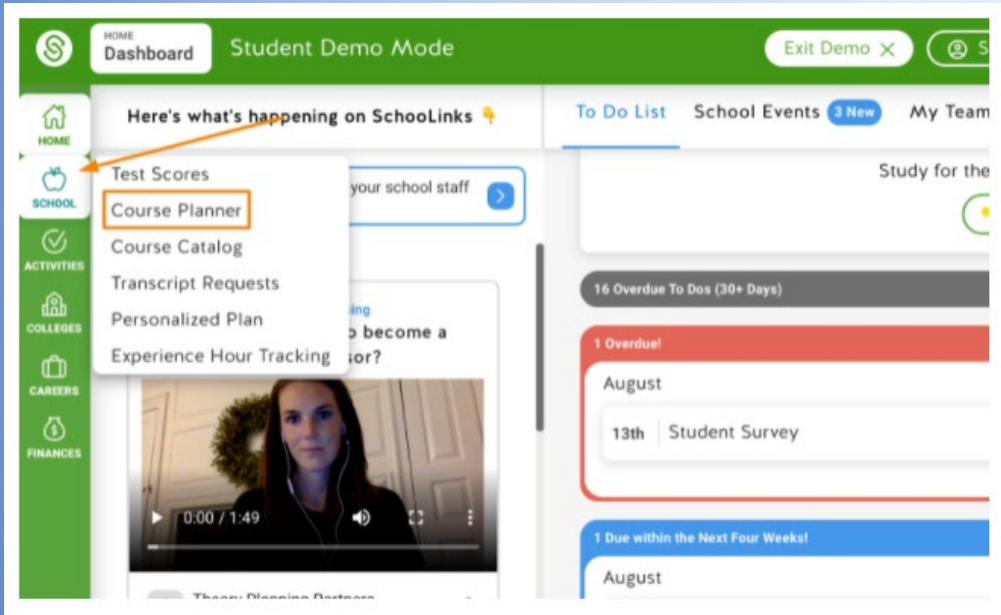
A sample of the 'MyKaty Course Selection Worksheet' for the 2024-2025 school year. The form includes fields for student name, ID, and grade, and a table for selecting courses from various categories like ELA, Math, Science, and Social Studies. It also includes instructions and a section for elective choices.

- ❖ For Fine Arts please list your choices in order of preference

- ❖ Online Course Selections must be completed by **February 6th** in SchoolLinks

- ❖ Course Selection Sheets are due to **ELA Teachers by February 7th**

Course Selection Process



Input courses into SchoolLinks Course Planner by Feb 6th



Course Offerings for Current 6th graders
Adams Junior High 2022-2023 Due to ELA teacher by February 7, 2022

Student Name: Last, First KISD Student ID Birth Date:
Parent/Guardian Name: Last, First Parent/Guardian Email:
Address: Street City / Zip
Parent/Guardian Home Phone: Parent/Guardian Cell Phone: Parent/Guardian Work Phone:

Use this list of courses as a guide to help you select your classes in SchoolLinks. Each student must select one course from each of the required areas: English, Math, Science, Social Studies and PE. Students planning for 7th grade will select one elective course and students who qualify for GT in ELA will select two elective courses and have no reading course. Students may not receive their first choice elective due to insufficient enrollment in a course, scheduling conflict, or over enrollment in course. Final placement into courses is contingent upon campus approval. GT placement requires the student to have met specific Katy ISD screening criteria.

DIRECTIONS: CIRCLE one course from each of the required areas of English, Math, Science, Social Studies and PE. Mark required courses by circling the course number for the course. **IMPORTANT: List Fine Arts/Elective choices in order of preference.** Student and parent signatures confirm that all course guidelines have been reviewed and course selections have been made based on the student's individual strengths, interests and commitment.

REQUIRED COURSES - 7th Grade	ELECTIVE COURSES
ENGLISH AND READING	FINE ARTS
J706 English Language Arts and Reading Block 7	J911 Art 1 (6,7,8)
J726 English Language Arts and Reading Block 7 KAP	J912 Art 2 (7,8)
G726 English Language Arts and Reading Block 7 GT*	J921 Band 1 (6,7,8)
	J922 Band 2 (7,8)
MATH	J931 Orchestra 1 (6,7,8)
J711 Math 7	J932 Orchestra 2 (7,8)
J714 Math 7 KAP	J941 Theatre 1 (6,7,8)
G714 Math 7 KAP/GT*	J942 Theatre 2 (7,8)
	J951 Choir 1 - Boys (6,7,8)
SCIENCE	J952 Choir 2 - Boys (7,8)
J730 Science 7	J961 Choir 1 - Girls (6,7,8)
J734 Science 7 KAP	J962 Choir 2 - Girls (7,8)
G734 Science 7 KAP/GT*	
SOCIAL STUDIES	CAREER AND TECHNOLOGY ELECTIVE COURSES
J720 Social Studies 7	J8560 Touch System Data Entry (7,8) (high school credit)
J724 Social Studies 7 KAP	J2026 Web Communications (7,8) (high school credit)
G724 Social Studies 7 KAP/GT*	
PHYSICAL EDUCATION	OTHER ELECTIVE COURSES
J785 Athletics 7 - Boys	J999 LeadWorthy (7,8)
J786 Athletics 7 - Girls	J754 Career Investigation (7,8)
J780 PE 7 - Boys	J755 Publications 1 (7)
J781 PE 7 - Girls	
* GT course placement requires the student to meet specific Katy ISD screening criteria.	PLEASE LIST ELECTIVE CHOICE IN ORDER OF PREFERENCE- LIMITED SPACE AVAILABLE IN SOME COURSES
	1. _____ (first choice)
	2. _____ (second choice)
	3. _____ (third choice)
	4. _____ (fourth choice)
	**Please be advised that scheduling conflicts may prevent your student from getting his/her first elective choice. Please list alternative choices.
	Strategic Reading and Math Lab are intervention courses that may be required for students who did not pass the STAAR and/or based upon documented reading and/or math levels. These courses will take the place of the student's PE or Elective.

Student and parent signatures are required as confirmation that all course guidelines and course selections have been reviewed.

Parent/Guardian Signature _____ Date _____ Student Signature _____ Date _____

Use Course Selection Sheet to plan out courses. Turn into ELA Teacher by Feb 7th



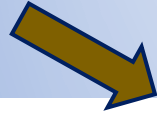
2022-2023 Course Catalog can be found on the AJH Counseling Website & in SchoolLinks.

KAP Commitment Letter can be found on the back of the Course Selection Sheet.

Verification Process

- Students/parents will check course requests through SchooLinks.
 - The course requests shown in SchooLinks are not the schedule — it is the list of courses you selected.
- All students will receive course verification instructions in March.
- This is your last opportunity to make changes to your course requests.
- Any changes to the student's courses should be made in the course verification google form.
- If we do not receive a course verification change through the google form, we assume no corrections need to be made to your course selections.

AJH Counseling Website



COURSE SELECTIONS

HOME NEW STUDENT INFO TESTING REGISTRATION MORE...

Adams Junior High Counseling Page



All course selection information can be found here!

2022-2023 Course Selection Information

AP/KAP Course Commitment

2022-2023 Course Catalog

Junior High Curriculum Information

Katy ISD Math KAP Course Flow - JH to HS

AJH 2022 Course Selection Timeline

FUTURE 6TH GRADE

Student Information

Step 1:

- Review 6th Grade Course Selection Presentation
- AJH Counselors & Fine Arts visit M.S. 6th graders on January 19
- ACE & JRE 6th graders visit AJH on February 2

Step 2:

- Review and make selections on the 6th Grade Course Selection Sheet
- Course Selection sheet due to 6th grade teacher by February 4

Step 3:

- Elementary counselor will input courses into school

Step 4: Course Verification

- Course Request Verification Sheet goes home on March 2
- Course Verification Sheet due to 6th grade teacher by March 22

Parent Information

- 6th Grade Parent Selection Flyer
- 6th Grade Course Selection Parent Presentation - February 3 @ 5:30 AJH
- Course Selection FAQ

Elective Videos: Please click on title to view each elective video.

- Art
- Band
- Chess
- Cricketing
- Theater

FUTURE 7TH GRADE

Student Information

Step 1:

- Review 7th Grade Course Selection Presentation (Coming Soon)

Step 2:

- Review and make selections on the 7th Grade Course Selection Sheet (Coming Soon)
- Enter course requests in SchoolLink by February 6 (Open Jan 28)
 - Video instructions
 - SchoolLink Quick Reference Guide
- Turn in 7th Grade Course Selection Sheet to SLA Teacher by February 7

Step 3:

- Confirm course requests during counselor meeting (Feb 1-Mar 8)
- Student Applications due by March 8
 - Student Ask Application (Coming Soon)
 - Publication/Yearbook (Coming Soon)

Step 4: Course Verification

- Verify course requests in SchoolLink (Opens Mar 2-27)
- Submit course request changes via Google Form by March 27

Parent Information

- 7th Grade Parent Selection Flyer
- 7th Grade Course Selection Parent Presentation - January 19 @ 5:30 AJH
- Course Selection FAQ

Future 8th Grade

Student Information

Step 1:

- Review 8th Grade Course Selection Presentation (Coming Soon)

Step 2:

- Review and make selections on the 8th Grade Course Selection Sheet (Coming Soon)
- Enter course requests in SchoolLink by February 6 (Open Jan 28)
 - Video instructions
 - SchoolLink Quick Reference Guide
- Turn in 8th Grade Course Selection Sheet to SLA Teacher by February 7

Step 3:

- Confirm course requests during counselor meeting (Feb 1-Mar 8)
- Student Applications due March 8
 - Student Ask Application (Coming Soon)
 - Publication/Yearbook (Coming Soon)

Step 4: Course Verification

- Verify course requests in SchoolLink (Opens Mar 2-27)
- Submit course request changes via Google Form by March 27

Parent Information

- 8th Grade Parent Selection Flyer
- 8th Grade Course Selection Parent Presentation - January 19 @ 5:30 AJH
- Course Selection FAQ
- JHS Dance Class Flyer for 8th graders

Go to www.ajhcounselors.weebly.com & click on the Course Selections tab

REMEMBER!

- Course selection submissions are due in SchooLinks by February 6th
- Course selection sheets are due to ELA Teachers by February 7th
- Choose your courses wisely – think carefully about your choices.
- Talk to your teachers about KAP placement.
- Choose the elective that's most interesting to you.
- List alternate electives.
- Submit course requests on time!
- Any changes to course selections are made during the verification process.



QR Code Library

AJH Counseling Website



Course Selection FAQ



Publications (Yearbook)
Application



Student Aide Application
(current 7th graders only)



Course Catalog is
available in SchoolLinks



Questions?



Scan the QR Code to submit any questions you have. You can also visit the AJH Counseling Website for FAQ responses.

**We can't wait for
next year!**

